



We also have the ability to accurately match the customer's color requirements when provided with the appropriate material samples.



Exo-Shield®



### APPLICATION AND USE

ISO 9001 Registered Company

Integral-Frame Fire Doors as manufactured by Alpine are ideal for use in School Cafeteria's, Office Windows, Healthcare Facilities, Hospitals and Airport Concession Displays where Fire protection is needed.

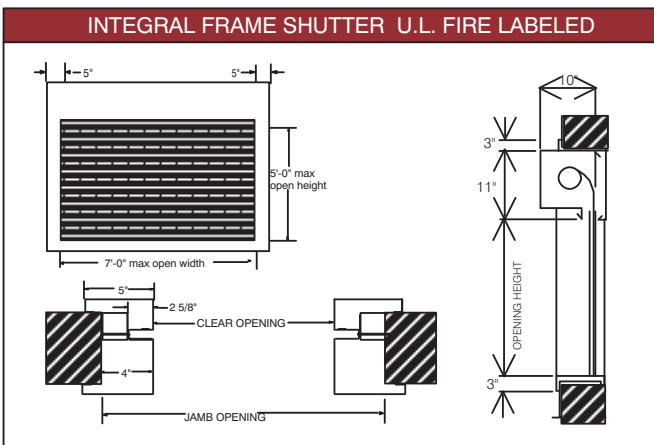
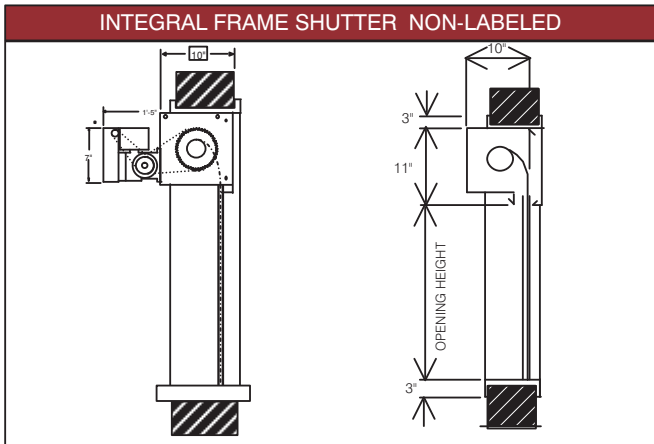
### THE ALPINE ADVANTAGE AND BENEFIT

The unique design of the Alpine Integral Frame Fire Shutter is its strong and compact which allows for easy mounting to existing construction. Alpine's quality and workmanship are proven throughout the door industry. Our hands-on approach to every job ensures customer satisfaction.

### FUNCTIONAL BENEFITS

These doors are fully assembled at the factory and offer a clean, custom appearance with no exposed edges. There exists no field assembly required therefore these doors make for a quick and easy installation. Completed units are factory welded and provide a seamless, built-in look. Units are built to exact opening size requirements.

### OTHER RELATED PRODUCTS



### FIRE-SHUT LABELING

Rolling Integral-Frame Fire Counter Doors will include a 1-1/2 hour label for fire protection. The door is built to fit specific dimensions up to 10' 2" wide and 5' high for Face Mounted, and up to 10' 10" wide and 6' 4" high for Between Jamb Mounted. For use in rated walls, masonry or drywall where thickness can range from 4 1/2" to 12" thick.

### INSTALLATION

Openings and Installation shall be prepared in accordance with NFPA-80. Opening preparation, miscellaneous or structural metal work, access doors, finish or field painting, field electrical wiring, wire, conduit, fuses and disconnect switches are in the Scope of Work of other divisions or trades.

### DOOR CONSTRUCTION

**BENEFITS**  
These doors are fully assembled at the factory and offer a clean, custom appearance with no exposed edges. There exists no field assembly required therefore these doors make for a quick and easy installation. Completed units are factory welded and provide a seamless, built-in look. Units are built to exact opening size requirements.

**CURTAIN**  
The curtain consists of interlocked flat faced slats, 1/2" deep, made out of 22 gauge galvanized steel or Type 430 or 304 stainless steel. Galvanized steel end-locks are riveted to the ends of each alternate slat to maintain curtain alignment and prevent excessive wear. Finish Option: Phosphate treated, baked enamel, or powder coated in a variety of colors.

**INTEGRAL FRAME**  
A welded frame construction made up from 16 gauge steel and or stainless steel, galvanized or hot dipped galvanized which consist's of a baked on epoxy and modified polyester frame assembly as specified on the U.L. label or non-label fire doors. Option: Door sill plate of 14 gauge to match the remainder of the door frame.

**GUIDES**  
Steel guides are Laser cut out of 12 gauge steel, frame encased and fitted with removable bellmount curtain stops which allows for curtain maintenance without the removal of the guides. Bellmount stops shall be flush with the guide groove.

**COUNTERBALANCE ASSEMBLY**  
Steel pipe barrel of a size capable of carrying a curtain load with max. deflection of 0.03" per foot opening width. The helical torsion spring is encased in a barrel designed to require minimum effort to operate the rolling curtain and bottom bar.

**OPERATION**  
Available in manual push-up, hand chain, hand crank or Redi-Midget motor operation which includes an enclosed motor, gear reducer, clutch, controller, and push-button station or key switch. Automatic closure can be activated with the incorporation of a Fusible Link Fire door release device. *Please See Alpine's Motor Operator Page ([www.alpinedoors.com/motoroperators.htm](http://www.alpinedoors.com/motoroperators.htm))*

**ACCESS CONTROLS:** Optional control stations are available as Push Button Control Station or Key Control Stations. Special Control Stations are also available, please consult factory. *Please See Alpine's Access Controls Page ([www.alpinedoors.com/accesscontrols.htm](http://www.alpinedoors.com/accesscontrols.htm))*

**RELEASE DEVICES**  
The Fire-Tite doors are mechanically closed and are activated by a fusible link system. Release devices, thermal sensors, sounder/strobe devices and smoke detectors are available for tying fire door into the fire alarm system. *Please See Alpine's Release Device Page ([www.alpinedoors.com/release.htm](http://www.alpinedoors.com/release.htm))*

**LOCKING**  
Doors are equipped with padlockable slide locks for latching and locking the door on the coil side of the bottom bar. Electric Interlocks recommended for motorized doors.

**FINISHES (OPTIONAL)**  
Phosphate treated and finished with a baked enamel paint. Alpine Doors offer 186 durable powder coating colors. Stainless steel, #4 finish. All other exposed ferrous surfaces are prime painted.

**Exo-Shield™:** The Powder Coat Finish is available for all of Alpine's Products and are available in over 188 standard colors with the option for custom colors and environmental requirements. *Please See Alpine's Color Selection Page ([www.alpinedoors.com/colors\\_standard.htm](http://www.alpinedoors.com/colors_standard.htm))*

**Hot-Dip Galvanizing:** Galvanizing is available for steel components.

**Stainless Steel:** Available in 300 series with options of mill finish, #2B, or #4 satin finish.

with low traffic and infrequent operational demands and requirements compared to other fire door products.

- Initial product cost is price *effective / affordable* for areas that only require the annual testing and resetting process.